



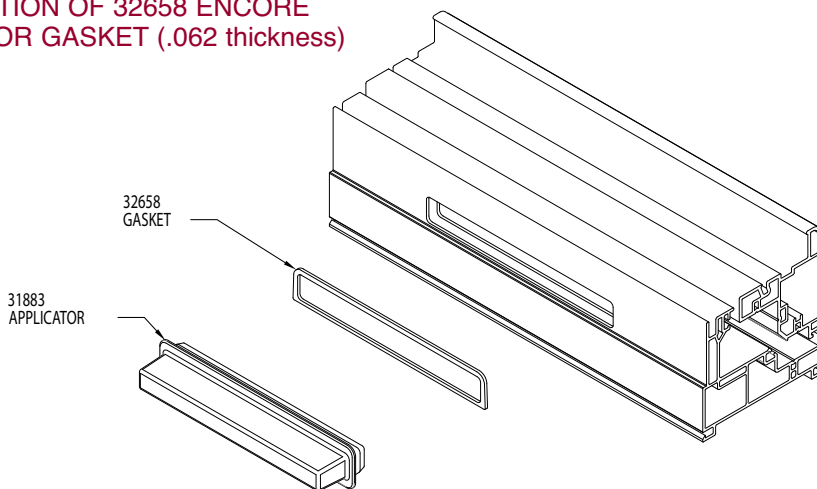
There are numerous accessories that have been designed to help provide the optimum results in both installation and function. The items listed here such as the #32658 and #32855

Gaskets and the #31883 Applicator are examples of such. In instances where an additional level of sealing is necessary, the Encore Gaskets will help you achieve this.

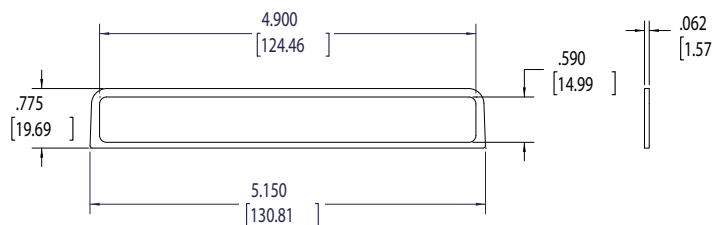
**ORDERING INFORMATION**

1. Please refer to the following drawings for specific information regarding the item numbers to order.

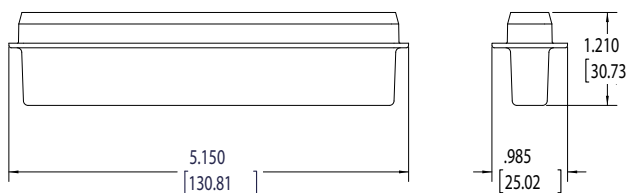
**FIG. 1 APPLICATION OF 32658 ENCORE OPERATOR GASKET (.062 thickness)**



**FIG. 2 ENCORE OPERATOR GASKET 32658 (32855 Gasket with .093 thickness not shown)**



**FIG. 3 ENCORE OPERATOR GASKET APPLICATOR 31883**



**FIG. 4 ENCORE OPERATOR SHIMS**

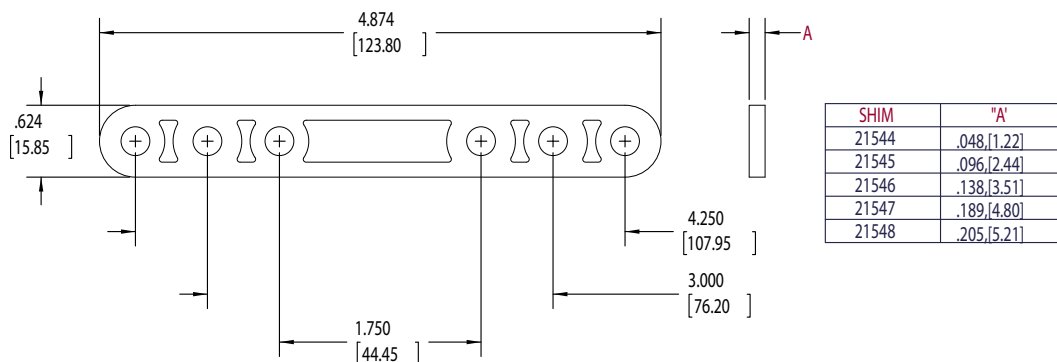


FIG. 5 APPLICATION OF TANGO FOLDING HANDLE COVER 12614.XX (LH) (SHOWN) 12616.XX (RH)  
(Sold as cover and handle package only)

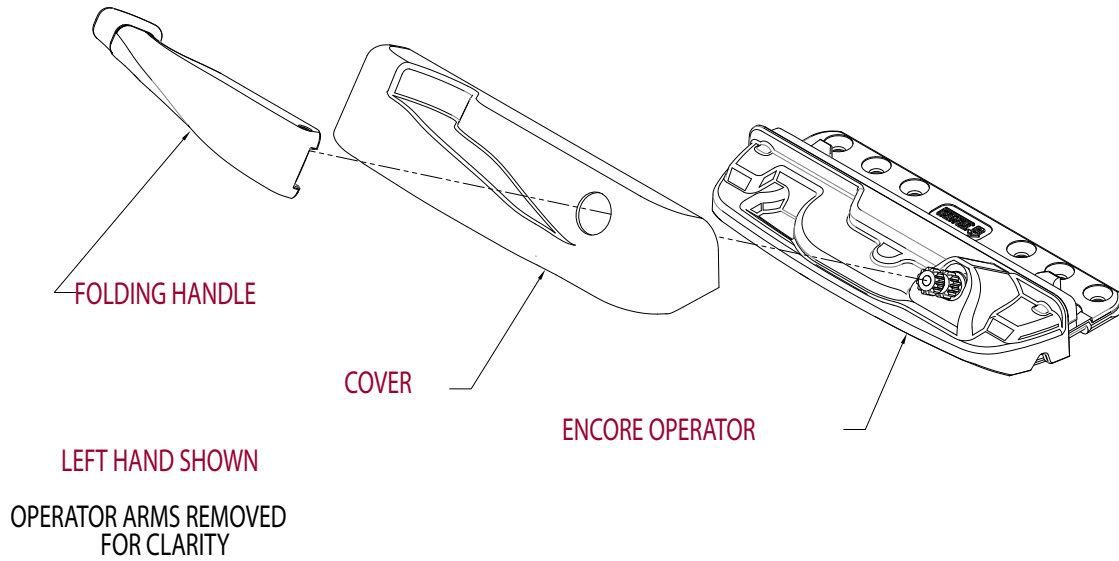


FIG. 6 DIMENSIONS FOR TANGO FOLDING HANDLE COVER (LH) (SHOWN)

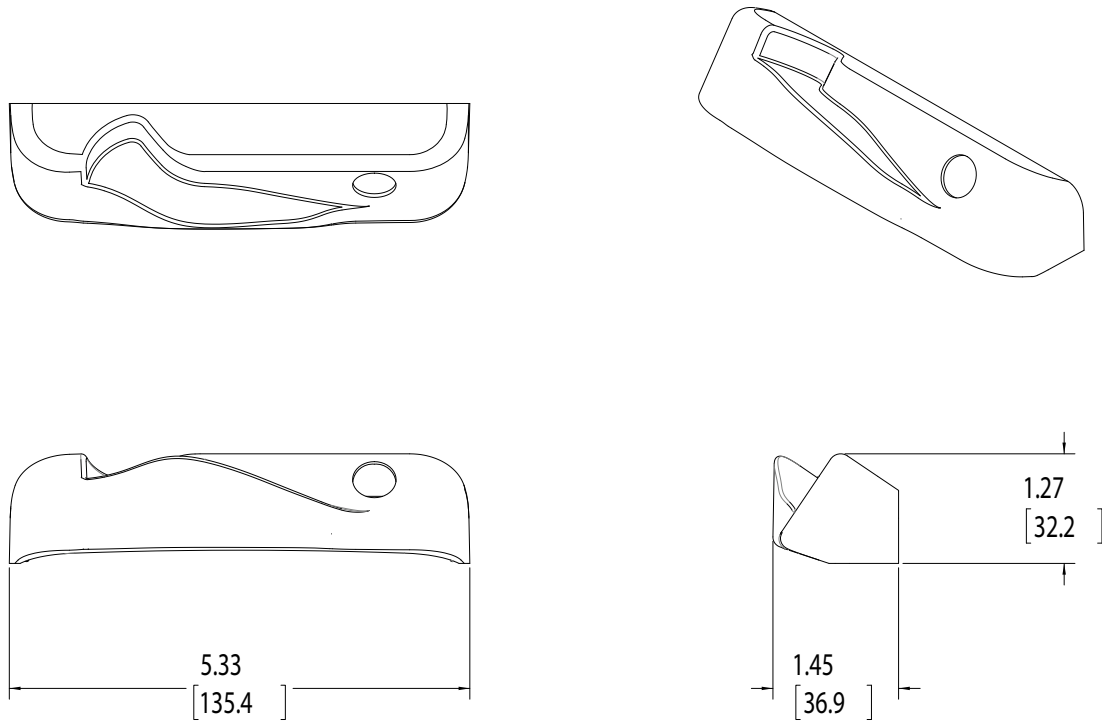


FIG. 7 APPLICATION OF CLASSIC FOLDING HANDLE COVER 13342.XX (LH) (SHOWN) 13343.XX (RH)  
(Sold as cover and handle package only)

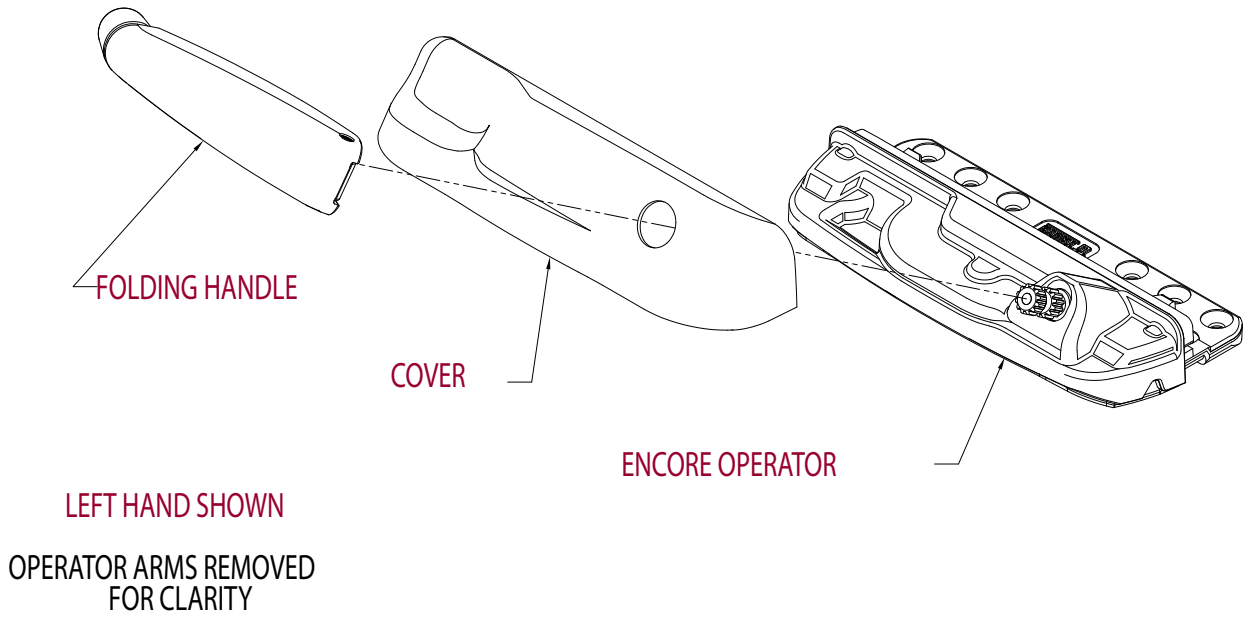


FIG. 8 DIMENSIONS FOR CLASSIC FOLDING HANDLE COVER (LH) (SHOWN)

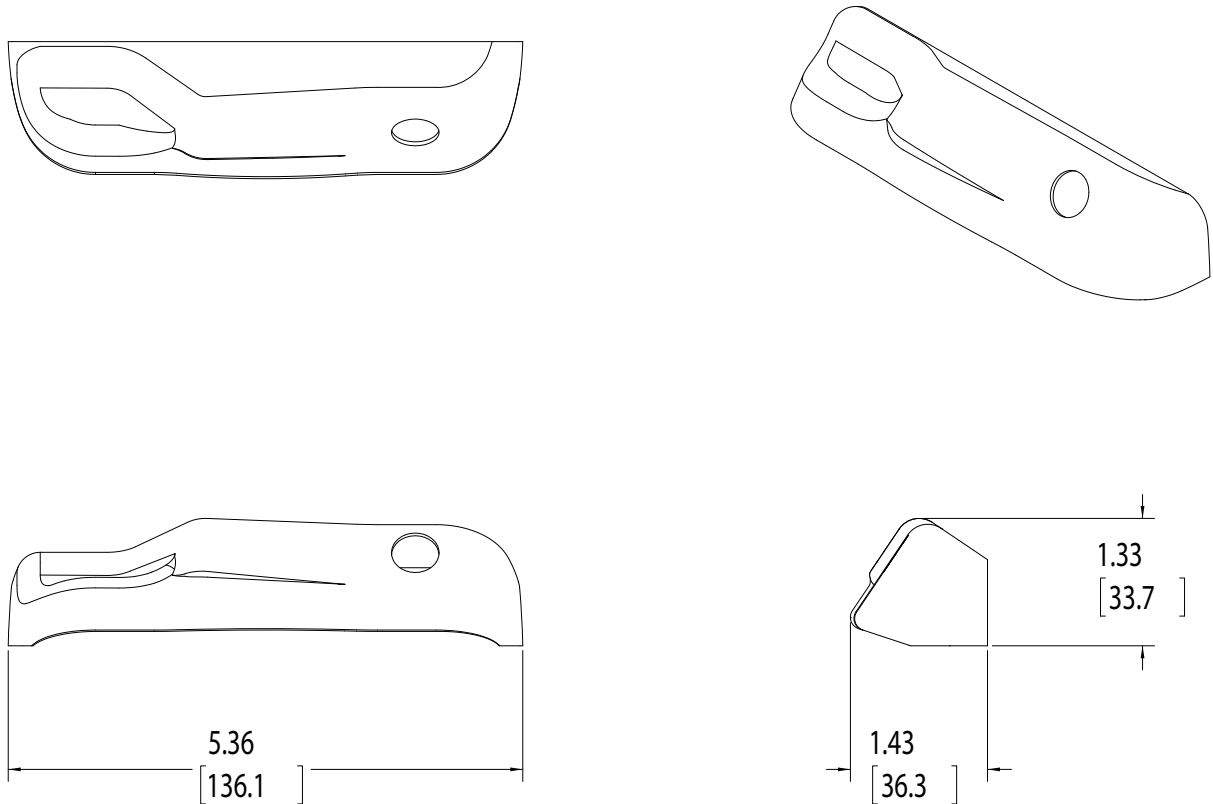


FIG. 9 APPLICATION OF FOLDING HANDLE COVER 13541.XX (LH) (SHOWN) 13542.XX (RH)  
(Sold as cover and handle package only)

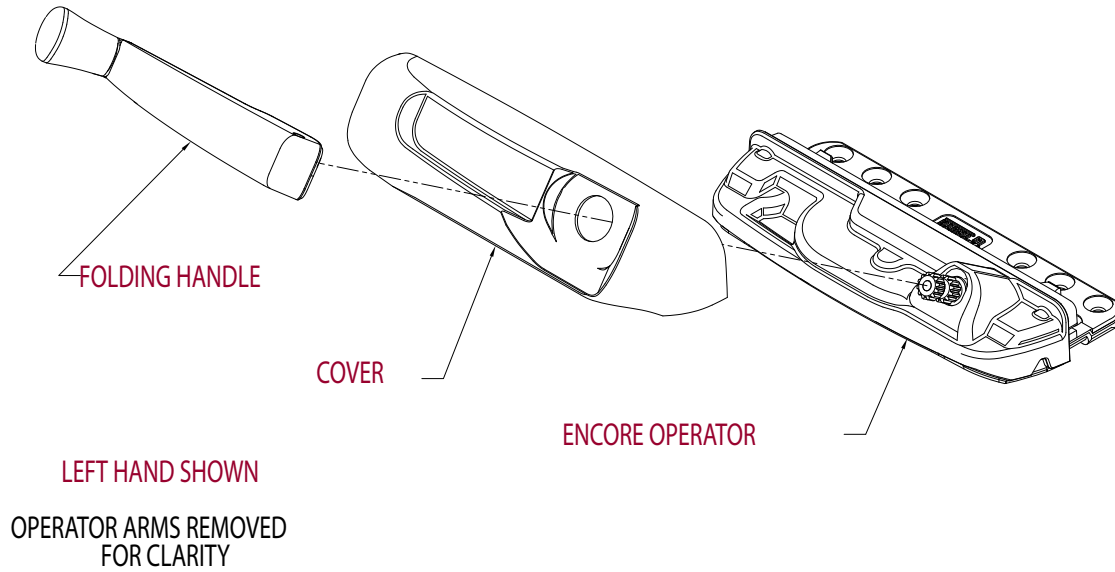


FIG. 10 DIMENSIONS FOR FOLDING HANDLE COVER (LH) (SHOWN)

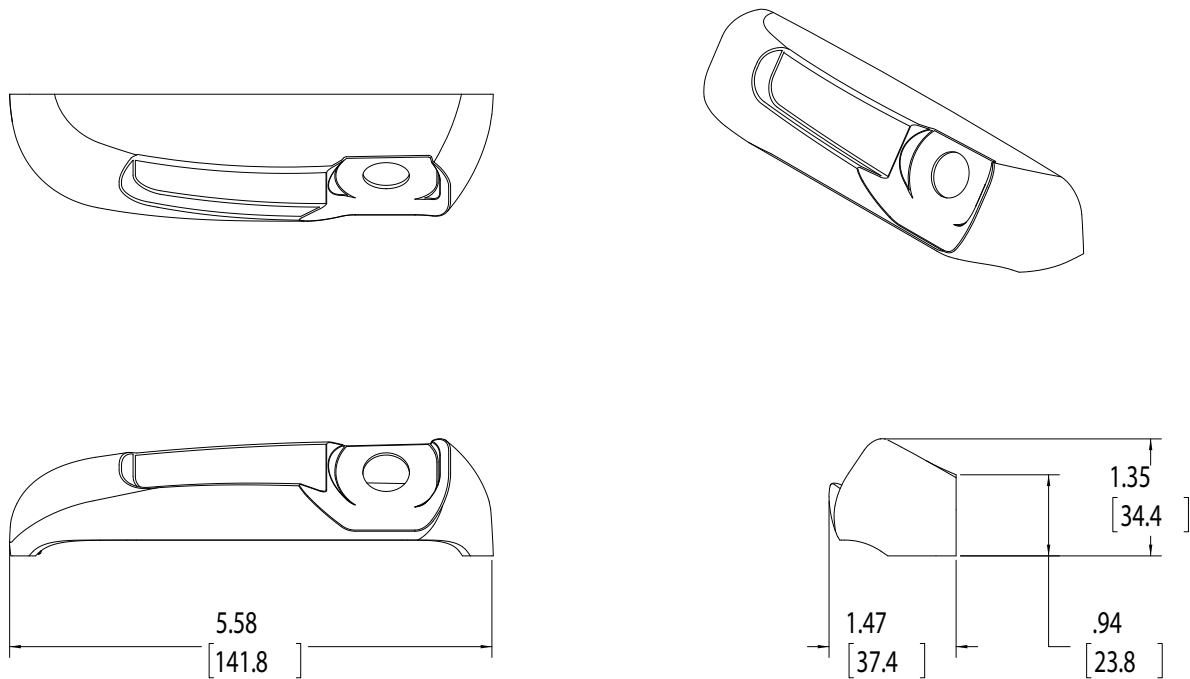


FIG. 11 APPLICATION OF ADA HANDLE COVER 14267.XX (LH) (SHOWN) 14268.XX (RH)  
(Sold as cover and handle package only)

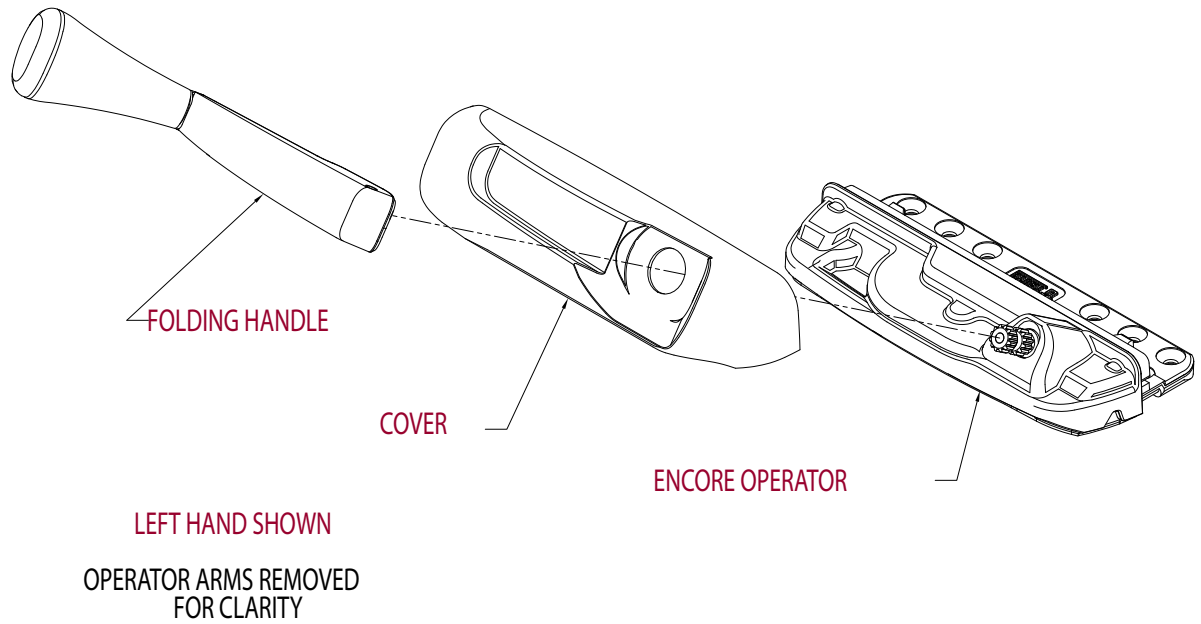
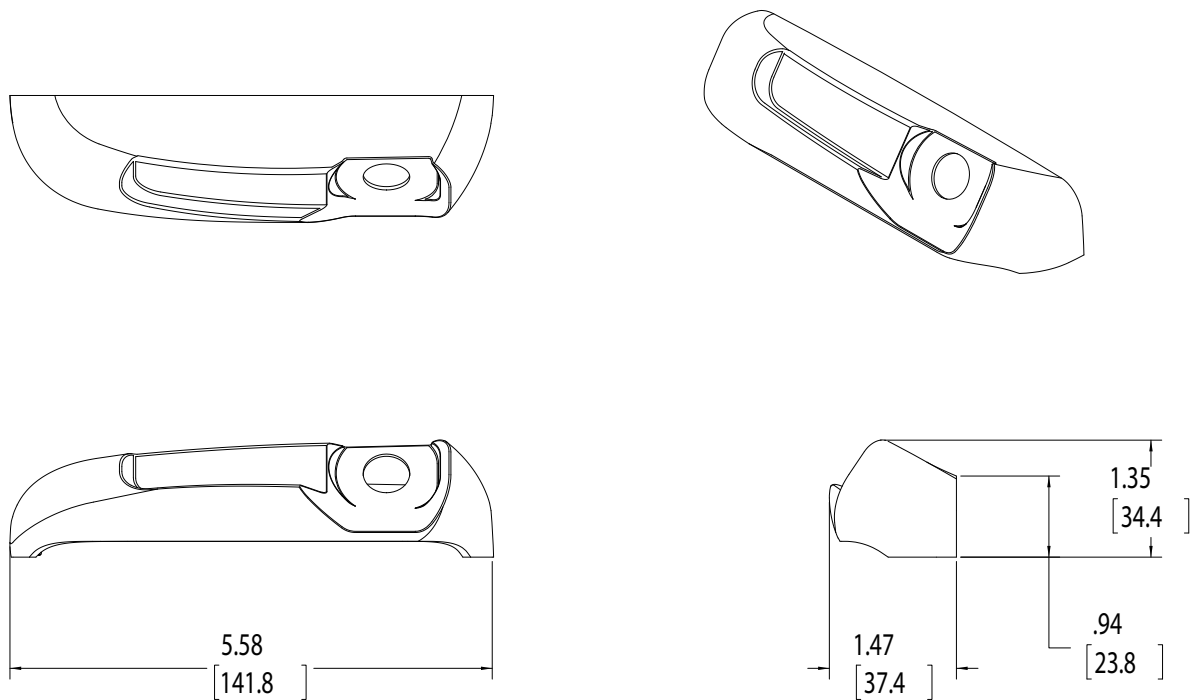


FIG. 12 DIMENSIONS FOR FOLDING HANDLE COVER (LH) (SHOWN)



**THE ENCORE™ SYSTEM  
OPERATOR ACCESSORIES**